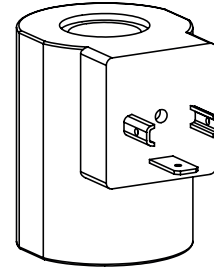
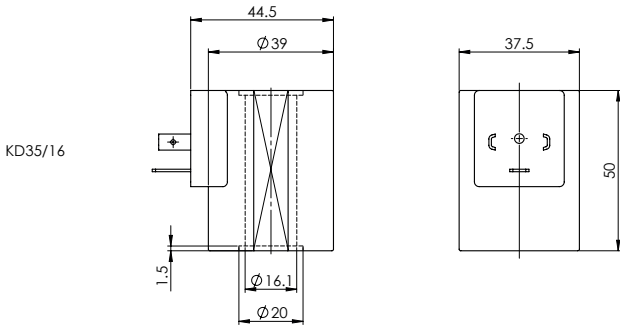




TYPE LISTE / DIMENSIONS

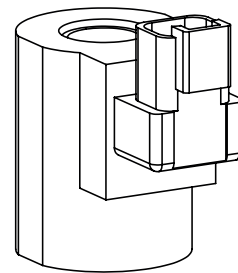
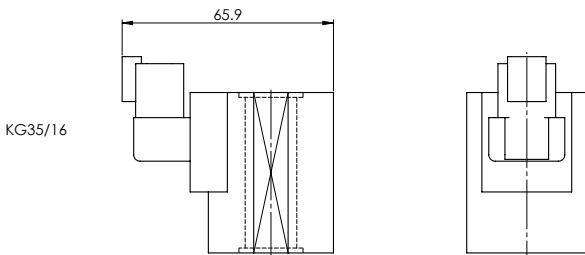
Execution: K D 35/16-... / 3 contacts 2 P+E

KD35/16



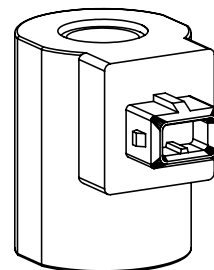
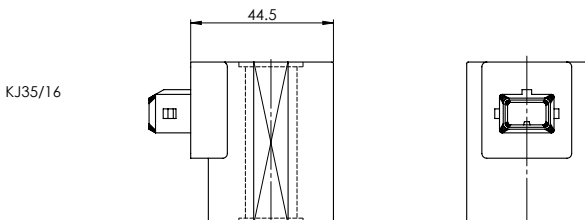
Execution: K G 35/16-... / 2 contacts

KG35/16



Execution: K J 35/16-... / 2 contacts

KJ35/16



Technical explanation see data sheet 1.1-400 and 1.1-410