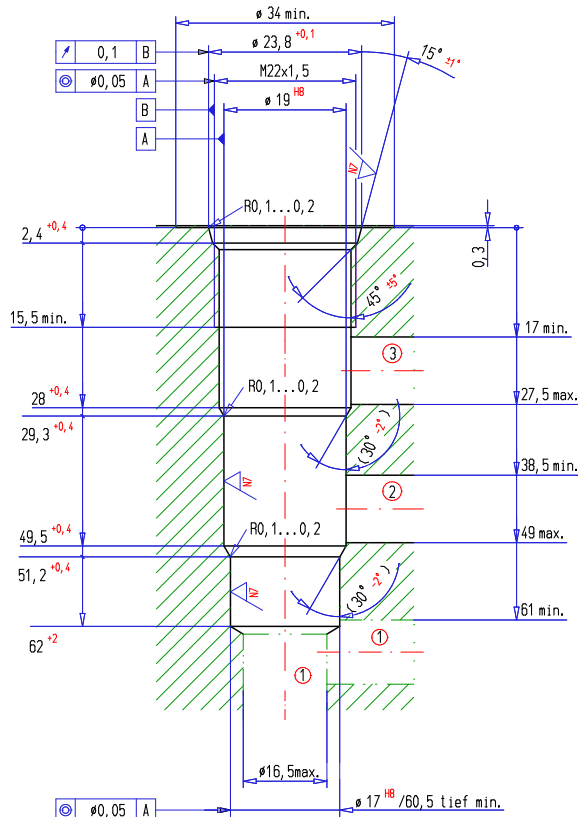
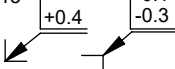
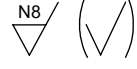


Cartridge cavity ISO 7789-22-04-0-98

**3-way-cavity for
general function
(without pressure relief)**

(Drawing-no. 2-633.4)



Edges according to ISO 13715 	Surface texture 	Length dimensions, curves, chamfers Angles Straightness, flatness Perpendicularity, symmetry Radial runout, axial runout Envelope condition acc. to ISO 14405 ⑤	General tolerances ISO 2768 m m H H H	Extract general tolerances ISO-2768-1
				Nominal dim. >0,5-3 >3-6 >6-30 >30-120
				Linear dim. ±0.1 ±0.1 ±0.2 ±0.3
				Radiuses, chamfer height ±0.2 ±0.5 ±1

Cavity tools

Denomination:	Article number:	Content:	Article number:
Ecoline 3-way M22 x 1,5	983.0810	Form drill Form reamer	
Tool kit 3-way M22 x 1,5	983.0802	Form drill Form reamer Tap	983.0102 983.0202 983.0601

Application

Cartridge type:	Data sheet number:	Cartridge type:	Data sheet number:
SDSPM22-FG-...	1.11-2061, 2061S	MVBPM22-...	2.3-635
SDYPM22-FG-...	1.11-2064, 2064S	MQPPM22-...	2.3-641
SLYPM22-FG-...	1.11-2066, 2066S	MQPPM22-.../ME	2.3-643
MV.PM22-...	2.2-530, 530S	MQBPM22-...	2.3-644
MVEPM22-...	2.2-536	QD.PM22-...	2.5-540
MPPPM22-...	2.3-625	QDPPM22-...	2.6-644
MPBPM22-...	2.3-627	QDPPM22-.../ME	2.6-647
MVPPM22-...	2.3-629	QDBPM22-...	2.6-648
MVPPM22-.../ME	2.3-632		