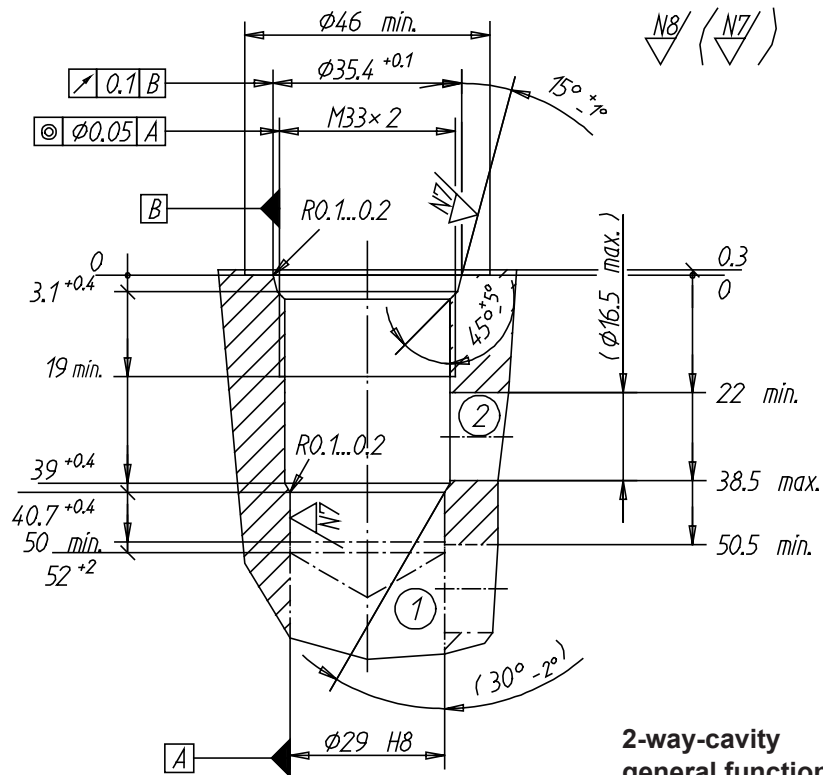


Cartridge cavity ISO 7789-33-01-0-98


2-way-cavity
general function
 (without pressure relief)

(Drawing no. 3-396.4)

Cavity tools
Denomination:

Form drill
 Form reamer
 Tap

Article number:

983.0103
 983.0203
 983.0602

Form tool set

consisting of; form drill, form reamer and tap

983.0803

Application
Cartridge type:

SVSPM33-...
 SVXPM33-...
 SVYPM33-...
 DNIPM33-...
 QZ.PM33-...
 DNPPM33-...
 DNVPM33-...

Data sheet number:

1.11-2075 / 2076
 1.11-2077
 1.11-2078 / 2079
 2.4-552
 2.5-550
 2.6-550 / 551
 2.6-560

Cartridge type:

DNPPM33-../ME
 QNPPM33-...
 QNPPM33-../ME
 QNVPM33-...
 QSPPM33-...

Data sheet number:

2.6-561
 2.6-650 / 651
 2.6-659
 2.6-660
 2.6-661