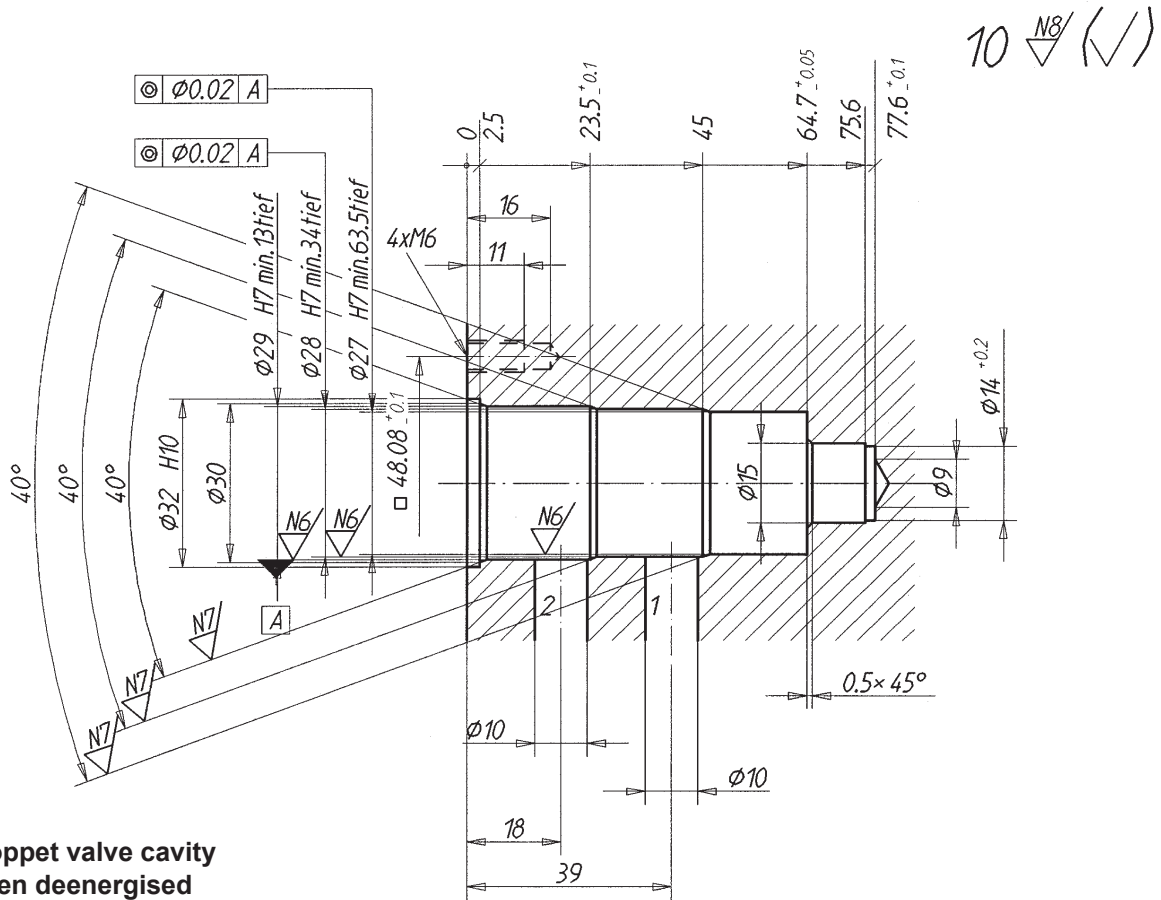


Cavity for poppet valve cartridge NG10



**2-way poppet valve cavity
open when deenergised**

(Drawing no. 5-2754.4)

Cavity tools

Denomination:

Form drill
Form reamer

Article number:

983.2105
983.2205

Form tool set

consisting of; form drill and form reamer

983.2801

Application

Cartridge type:

.22100-S1265-...

Data sheet number:

1.11-2045

Cartridge type:

Data sheet number: