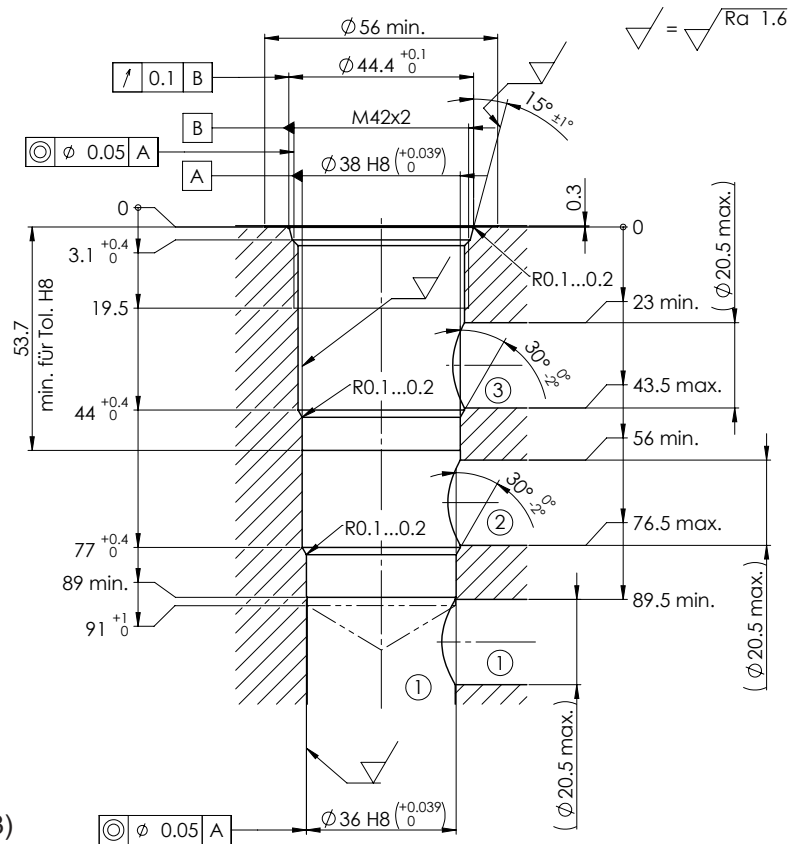
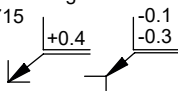


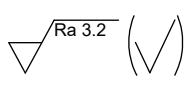
Cartridge cavity ISO 7789-42-04-0-07

3-way-cavity for general function

(Drawing-no. 1-1322.3)

Edges according to ISO 13715



Surface texture



General tolerances ISO 2768

 Length dimensions, curves, chamfers
 Angles
 Straightness, flatness
 Perpendicularity, symmetry
 Radial runout, axial runout
 Envelope condition acc. to ISO 14405 ©

 m
m
H
H
H

Extract general tolerances ISO-2768-1

Nominal dim.	>0,5-3	>3-6	>6-30	>30-120
Linear dim.	±0.1	±0.1	±0.2	±0.3
Radiuses, chamfer height	±0.2	±0.5	±1	

Cavity tools
Denomination: **Article number:** **Content:** **Article number:**
Application

Cartridge type:	Data sheet number:	Cartridge type:	Data sheet number:
MVPPM42-...	2.3-690		
QDPPM42-...	2.6-695		