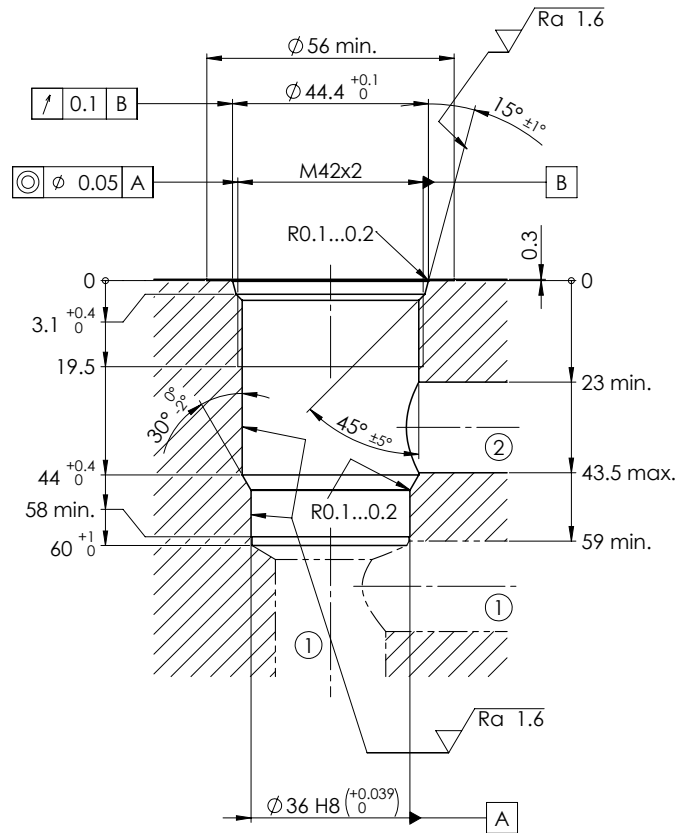
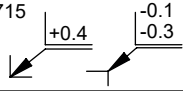
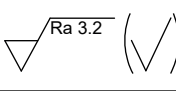


**Cartridge cavity ISO 7789-42-02-0-07**

**2-way-cavity for pressure relief**

(Drawing-no. 1-1372.4)

Edges according to ISO 13715 	Surface texture 	Length dimensions, curves, chamfers Angles Straightness, flatness Perpendicularity, symmetry Radial runout, axial runout Envelope condition acc. to ISO 14405 ©	Extract general tolerances ISO-2768-1				
			General tolerances ISO 2768	m m H H H	>0,5-3	>3-6	>6-30
			Nominal dim.	±0.1	±0.1	±0.2	±0.3
			Linear dim.	±0.2	±0.5	±1	
			Radiuses, chamfer height				

**Cavity tools**

<b>Denomination:</b>	<b>Article number:</b>	<b>Content:</b>	<b>Article number:</b>
Ecoline 2-way M22 x 1,5	983.4808	Form drill Form reamer	

**Application**

<b>Cartridge type:</b>	<b>Data sheet number:</b>	<b>Cartridge type:</b>	<b>Data sheet number:</b>
BVPPM42-...	2.3-590		