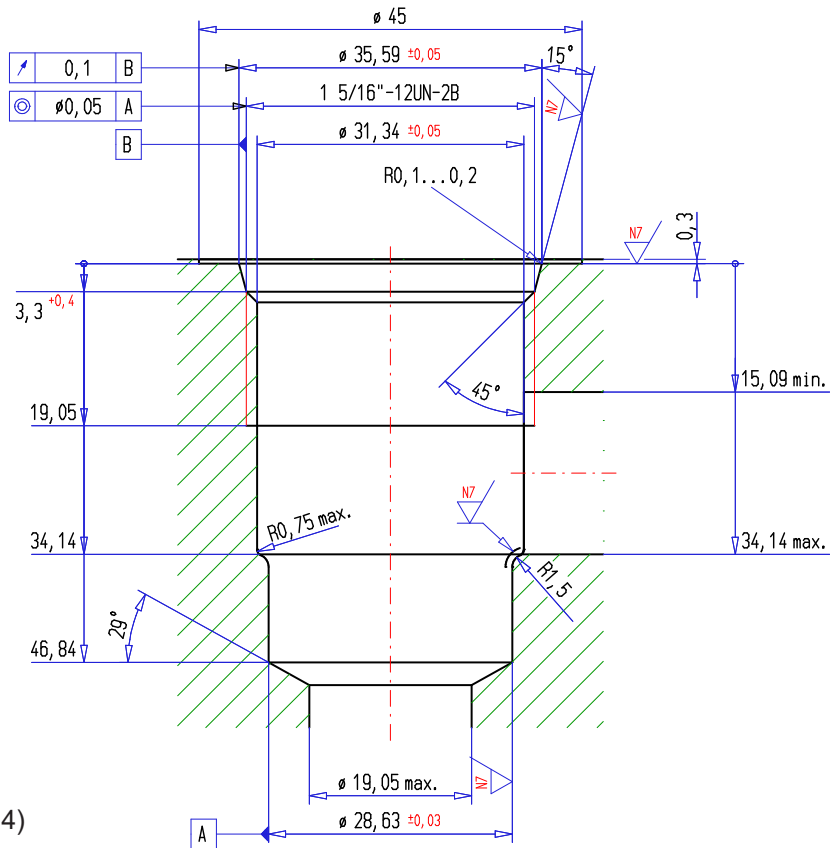
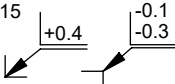
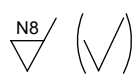


**Cartridge cavity 1-5/16" - 12UN**

**2-way-cavity**

(Drawing-no. 5-3129.4)

Edges according to ISO 13715 	Surface texture 	Length dimensions, curves, chamfers Angles Straightness, flatness Perpendicularity, symmetry Radial runout, axial runout Envelope condition acc. to ISO 14405 ©	m m H H	Extract general tolerances ISO-2768-1				
				General tolerances ISO 2768	Nominal dim.	>0,5-3	>3-6	>6-30
				Linear dim.	±0.1	±0.1	±0.2	±0.3
				Radiuses, chamfer height	±0.2	±0.5	±1	

**Cavity tools**

<b>Denomination:</b>	<b>Article number:</b>	<b>Content:</b>	<b>Article number:</b>
----------------------	------------------------	-----------------	------------------------

**Application**

<b>Cartridge type:</b> QNPPU16-...	<b>Data sheet number:</b> 2.6-675
<b>Cartridge type:</b>	<b>Data sheet number:</b>