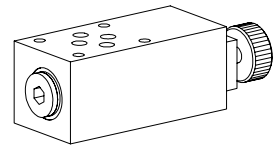


Drain valve
Sandwich construction

- $Q_{max} = 40$ l/min
- $p_{max} = 350$ bar

NG6
ISO 4401-03


DESCRIPTION

Drain valve NG6 with interface according to ISO 4401-03. Sandwich design. Valves for 3 flow directions are available. The sandwich body is made from phosphated steel. The turn knob from anodised aluminium.

FUNCTION

A spherical, hardened closing element seals the pressurised part leak free against tank port. By turning the knob the connection to tank will be opened. Knob may be blocked in any position by a set screw.

APPLICATION

Drain valves are mainly used in systems with an accumulator which need to be depressurised for revisions.

TYPE CODE

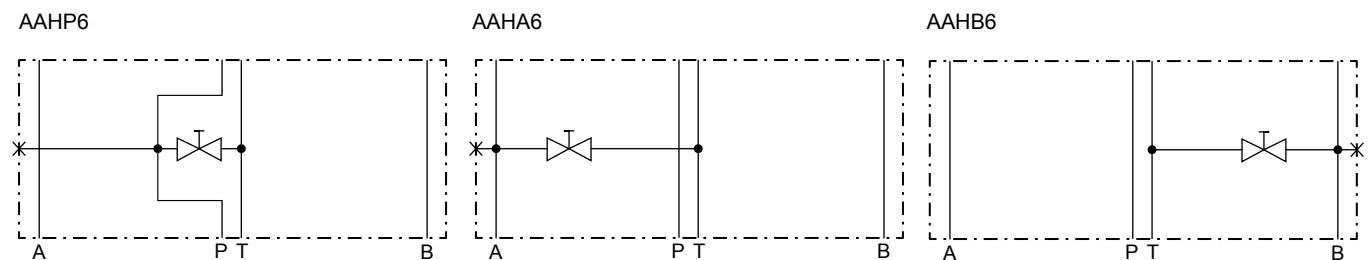
	A	AH	<input type="checkbox"/>	6 /	<input type="checkbox"/>	#	<input type="checkbox"/>
International standard interface ISO							
Drain valve Type list / Function							
P → T	<input type="checkbox"/>						
A → T	<input type="checkbox"/>						
B → T	<input type="checkbox"/>						
Normal size 6							
Threaded connection open	<input type="checkbox"/>						
Screw plug	<input type="checkbox"/>						
Minimess screw coupling	<input type="checkbox"/>						
Design-Index (Subject to change)							

GENERAL SPECIFICATIONS

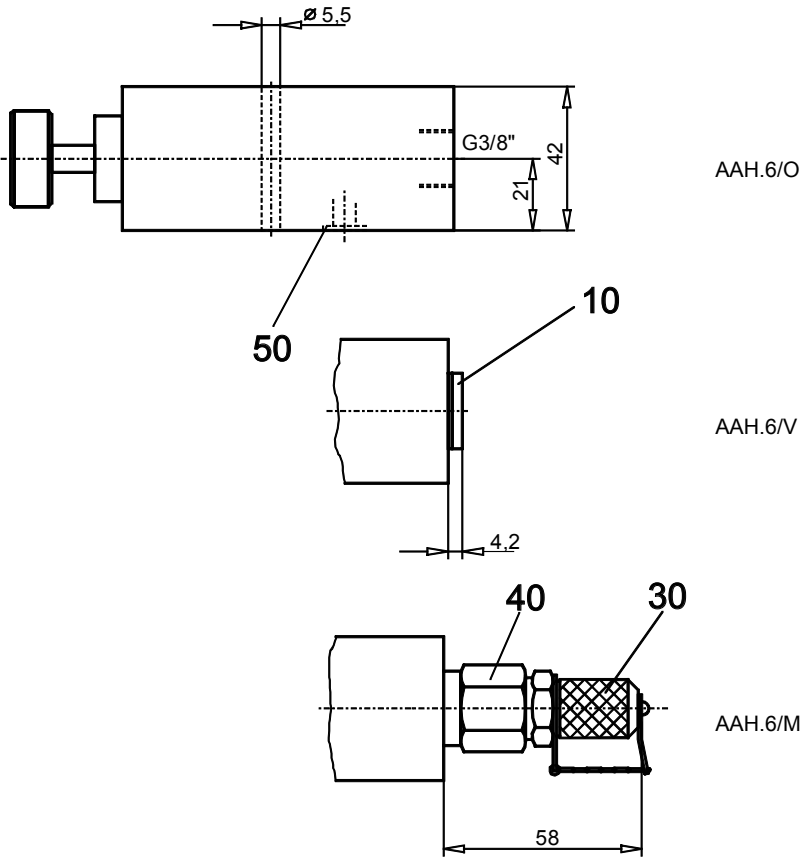
Description	Drain valve
Nominal size	NG6 acc. to ISO 4401-03
Construction	Sandwich construction
Mounting	4 holes for hexagon socket screw M5 or studs M5
Connections	Connection plates Multistation flange subplate Longitudinal stacking system
Ambient temperature	-20...+50 °C
Mounting position	any
Fastening torque	$M_D = 5,5$ Nm (Quality 8.8)
Weight	$m = 1,5$ kg

HYDRAULIC SPECIFICATIONS

Fluid	Mineral oil, other fluid on request
Contamination efficiency	ISO 4406:1999, class 20/18/14 (Required filtration grade $\beta_{10...16} \geq 75$) refer to data sheet 1.0-50/2
Viscosity range	12 mm ² /s...320 mm ² /s
Fluid temperature	-20...+70 °C
Peak pressure in ports A, B, P	$p_{max} = 350$ bar
Peak pressure in port T	$p_{max} = 50$ bar
Max. volume flow	$Q_{max} = 40$ l/min

SYMBOLS / TYPES


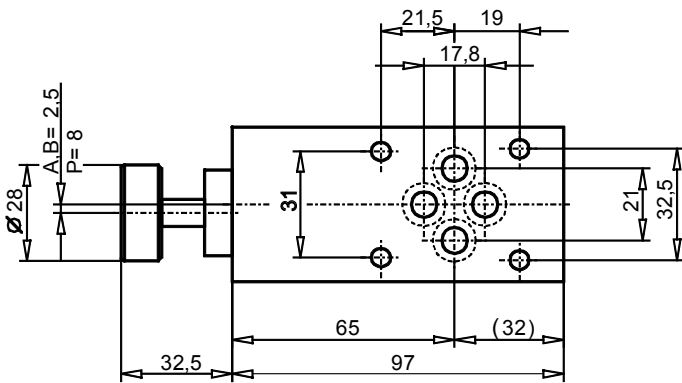
DIMENSIONS



AAH.6/O

AAH.6/V

AAH.6/M



On types AAHB, P6 the adjustment is located on B-Side

PARTS LIST

Position	Article	Description
10	238.3202	Plug VSTI G3/8"-ED
30	152.9101	Mini-mess fitting 1620/1/4"
40	241.1621	Fitting RI 3/8" x 1/4"
50	160.2093	O-ring ID 9,25 x 1,78

Technical explanation see data sheet 1.0-100